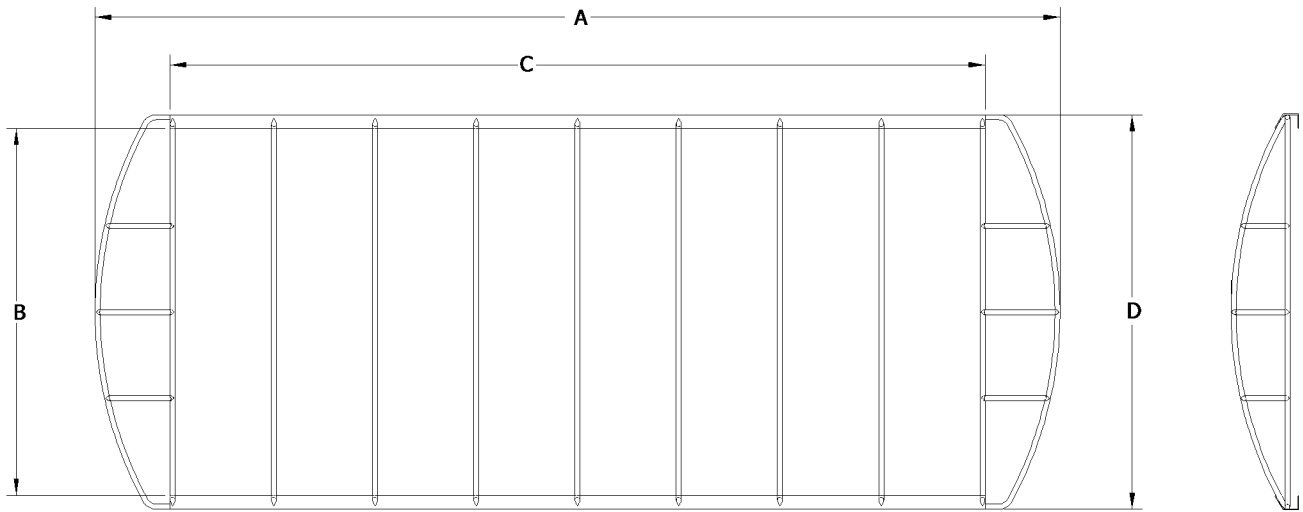


Attn: _____

**Shorestation™ Midwest Steel Frame
Specification Sheet**



***ALL MEASUREMENTS (±1")**

PART NO.	SIZE	INSIDE WIDTH "B"	SIDE RAIL LENGTH "C"	OUTSIDE WIDTH "D"
MS1900082	19' X 82"	82"	16' 4"	89"
MS1900098	19' X 98"	98"	16' 4"	105"
MS2100098	21' X 98"	98"	18' 4"	105"
MS2300098	23' X 98"	98"	20' 4"	105"
MS2300110	23' X 110"	110"	20' 4"	117"

****If dimensions don't match above, fill out detail sheet on page 2****

ATTACHMENT

Continuous bungee on each side and end connect by s-hook to holes punched in each bow

OR

Continuous bungee loops over plastic pucks at each bow

STANDARD VALANCE: 20" VALANCE

OUTSIDE DIMENSIONS

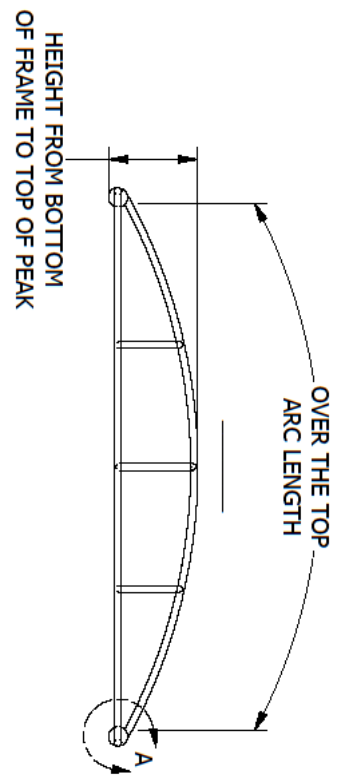
- A _____ OVERALL LENGTH OF FRAME
- B _____ INSIDE WIDTH OF FRAME
- C _____ LENGTH OF SIDE RAILS (W/O ENDS)
- D _____ OUTSIDE WIDTH OF FRAME

CONTACT INFORMATION

Name _____
 Address _____
 City _____ State _____ Zip _____
 Phone _____ Fax _____
 Boat Lift Brand _____

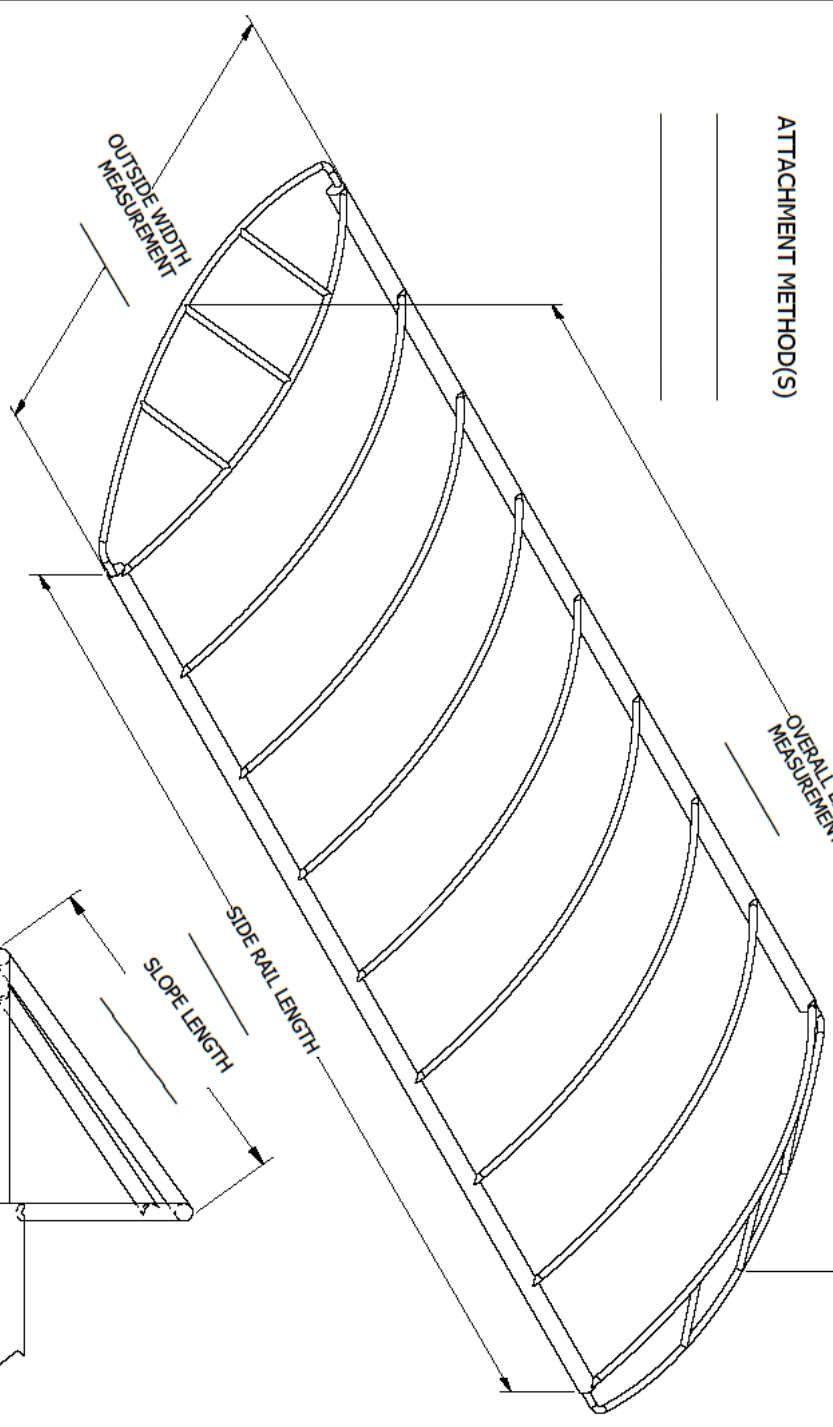
NOTES

REVISIONS				ISSUER
REV	ECN	DATE	DESCRIPTION	RML
A	EC-00469	10/4/2016	RELEASE	RML



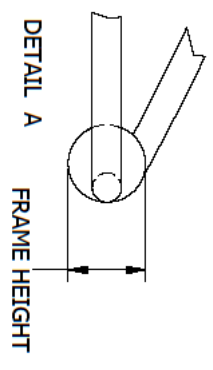
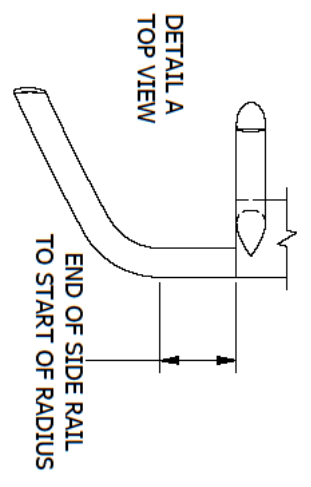
ATTACHMENT METHOD(S)

OVERALL LENGTH MEASUREMENT

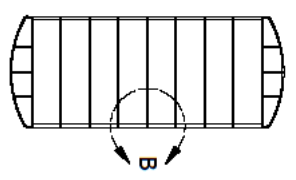


SEND PICTURES AND IF NEEDED, ADD ANY ADDITIONAL FEATURES OR SKETCH THE VIEWS ON A SECOND PAGE.

LOOKING AT END CAP FROM SIDE
MEASURE ON CENTERLINE

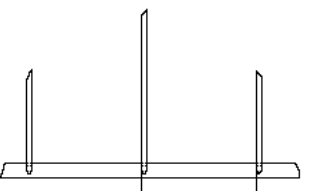


TOTAL NUMBER OF BOWS



SPACING OF BOWS

DETAIL B



TOLERANCES - UNLESS NOTED

DECIMAL F
FRACTION F
ANGLE F

TITLE: **ROUNDED END FRAME DETAIL SHEET**

DRAWN: RML
ENGR: OWG

DATE: 4/10/2014
DATE: 10/10/2016

SCALE: 1
SHEET: 1
PART NO.: F-135

SIZE: C