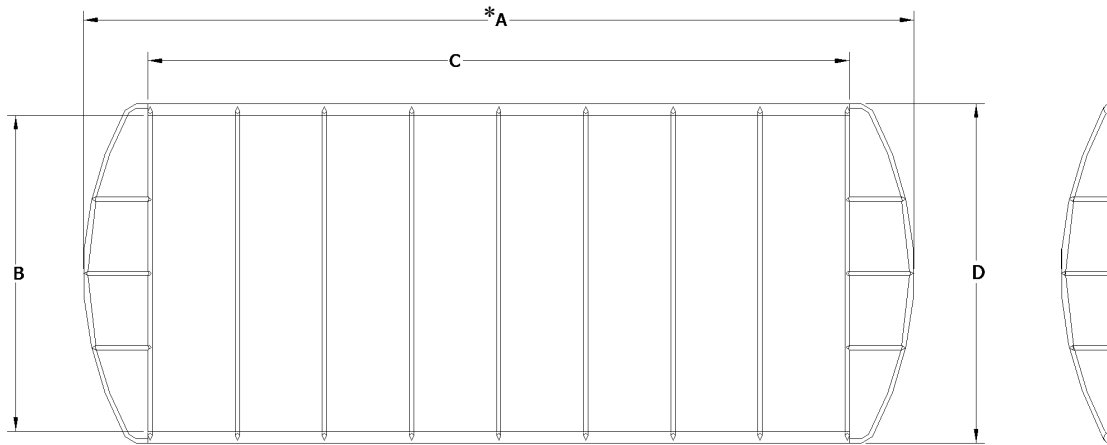


Attn: _____

**Shorestation™ Aluminum Frame
Specification Sheet**



***ALL MEASUREMENTS (±1")**

PART NO.	SIZE	INSIDE WIDTH "B"	SIDE RAIL LENGTH "C"	OUTSIDE WIDTH "D"
SS1300062	13' X 62"	61 1/2"	11'	69 1/2"
SS2000088	20' X 88"	87 1/4"	18'	95 1/4"
SS1800100	18' X 100"	99 1/4"	16'	107 1/4"
SS2000100	20' X 100"	99 1/4"	18'	107 1/4"
SS2200100	22' X 100"	99 1/4"	20'	107 1/4"
SS1300108	13' X 108"	107 1/4"	11'	115 1/4"
SS2000108	20' X 108"	107 1/4"	18'	115 1/4"
SS2200108	22' X 108"	107 1/4"	20'	115 1/4"
SS2400108	24' X 108"	107 1/4"	22'	115 1/4"
SS2600108	26' X 108"	107 1/4"	24'	115 1/4"
SS2200120	22' x 120"	119 1/4"	20'	127 1/4"
SS2400120	24' X 120"	119 1/4"	22'	127 1/4"
SS2600120	26' X 120"	119 1/4"	24'	127 1/4"
SS2800120	28' X 120"	119 1/4"	26'	127 1/4"
SS3000120	30' X 120"	119 1/4"	28'	127 1/4"
SS2600132	26' X 132"	131 1/4"	24'	139 1/4"
SS3000132	30' X 132"	131 1/4"	28'	139 1/4"
SS3400132	34' X 132"	131 1/4"	32'	139 1/4"
SS3600144	36' X 144"	131 1/4"	34'	139 1/4"
SS4000144	40' X 144"	143 1/4"	38'	151 1/4"

*Length is determined by adding 2' to Dimension 'C'.
Dimension A is not used in the named size.

ATTACHMENT

Continuous bungee on each side and end connect by s-hook to holes punched in each bow
OR

Continuous bungee loops over plastic pucks at each bow

STANDARD VALANCE: 20" VALANCE

OUTSIDE DIMENSIONS

- A _____ OVERALL LENGTH OF FRAME
- B _____ INSIDE WIDTH OF FRAME
- C _____ LENGTH OF SIDE RAILS (W/O ENDS)
- D _____ OUTSIDE WIDTH OF FRAME

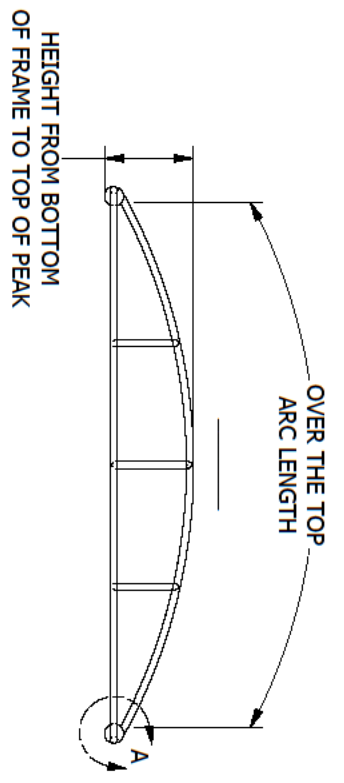
CONTACT INFORMATION

Name _____
Address _____
City _____ State _____ Zip _____
Phone _____ Fax _____
Boat Lift Brand _____

****If dimensions don't match above,
fill out detail sheet on page 2****

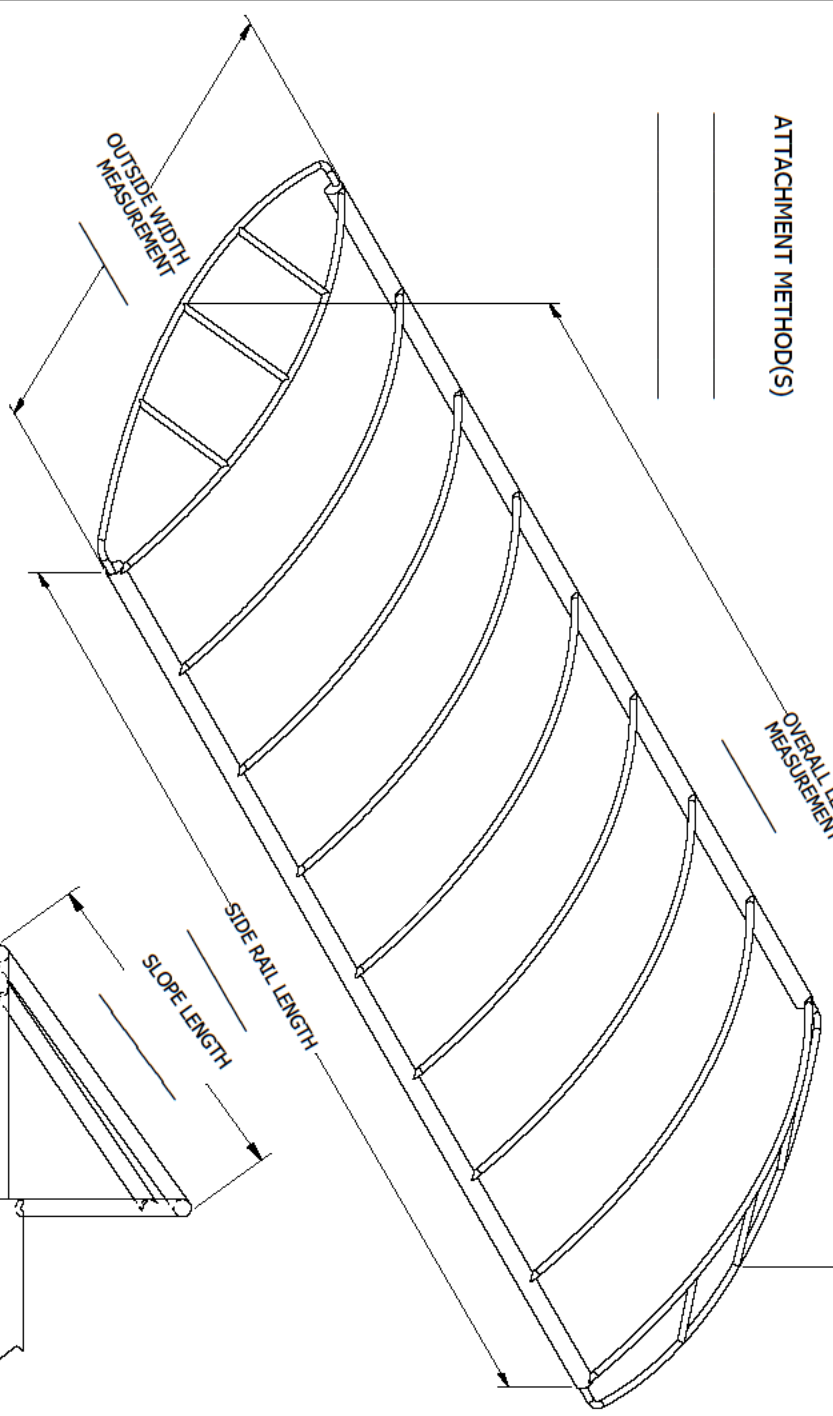
NOTES

REVISIONS				ISSUER
REV	ECN	DATE	DESCRIPTION	RML
A	EC-00469	10/4/2016	RELEASE	RML



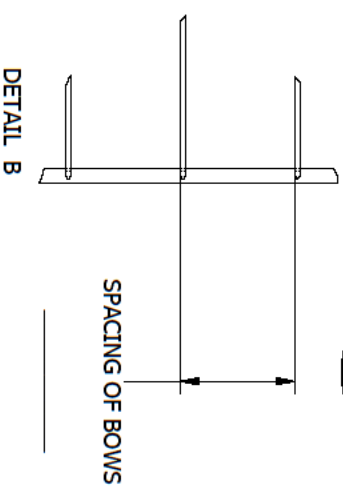
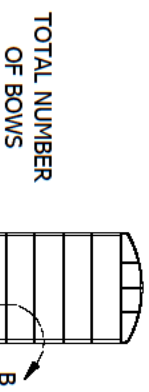
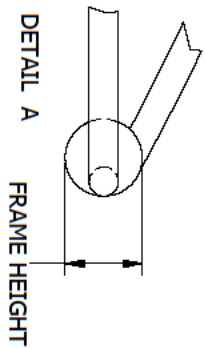
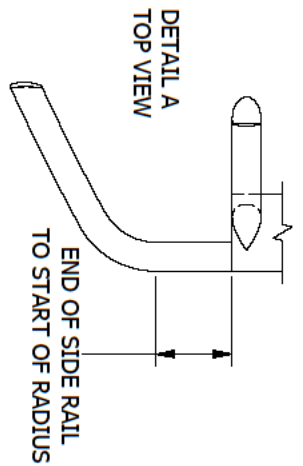
ATTACHMENT METHOD(S)

OVERALL LENGTH MEASUREMENT



SEND PICTURES AND IF NEEDED, ADD ANY ADDITIONAL FEATURES OR SKETCH THE VIEWS ON A SECOND PAGE.

LOOKING AT END CAP FROM SIDE
MEASURE ON CENTERLINE



TOLERANCES - UNLESS NOTED

DECIMAL F.
FRACTION F.
ANGLE F.

TITLE: **ROUNDED END FRAME DETAIL SHEET**

DWGT: RML
ENGR: CWS

DATE: 4/10/2014
DATE: 10/10/2016

SCALE

SHEET 1

PART NO:

F-135

SIZE **C**