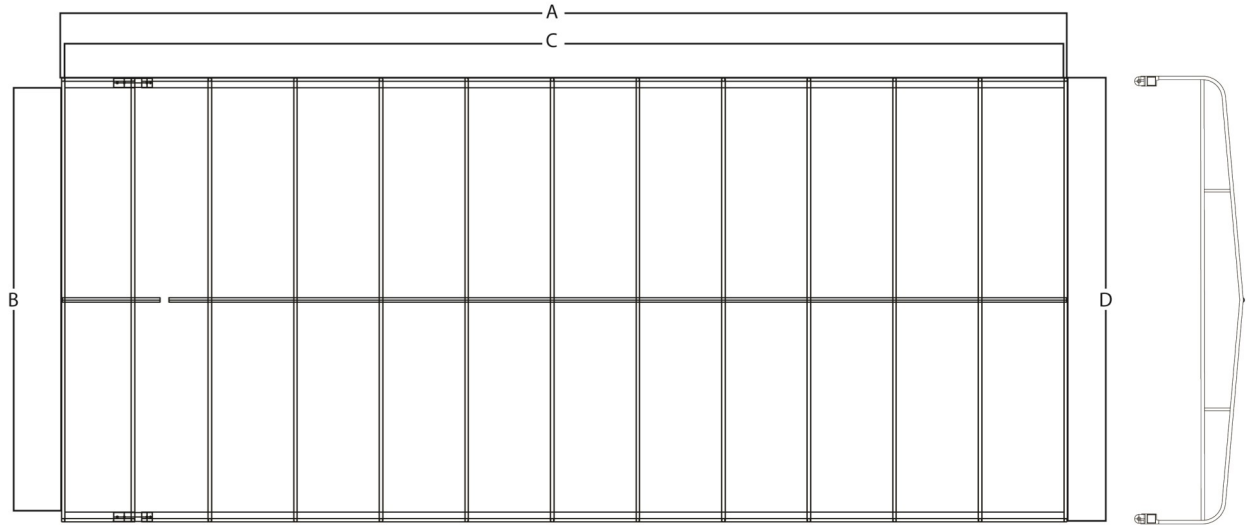


Attn: _____

**Max Docks Open End Frame
Specification Sheet**



***ALL MEASUREMENTS (±1")**

PART NO.	SIZE	OVERALL LENGTH "A"	INSIDE WIDTH "B"	SIDE RAIL LENGTH "C"	OUTSIDE WIDTH "D"
MXS1600052	16' X 52"	16'	52"	15' 10"	57 1/2"
MXS1400088	14' X 88"	14'	87 1/2"	13' 10"	93"
MXS1600088	16' X 88"	16'	87 1/2"	15' 10"	93"
MXS1800088	18' X 88"	18'	87 1/2"	17' 10"	93"
MXS2000088	20' X 88"	20'	87 1/2"	19' 10"	93"
MXS1800108	18' X 108"	18'	108"	17' 10"	113 3/4"
MXS2000108	20' X 108"	20'	108"	19' 10"	113 3/4"
MXS2200108	22' X 108"	22'	108"	21' 10"	113 3/4"
MXS2400108	24' X 108"	24'	108"	23' 10"	113 3/4"
MXS2600108	26' X 108"	26'	108"	25' 10"	113 3/4"
MXS2800108	28' X 108"	28'	108"	27' 10"	113 3/4"
MXS3000108	30' X 108"	30'	108"	29' 10"	113 3/4"
MXS1800122	18' X 122"	18'	121 1/2"	17' 10"	127"
MXS2000122	20' X 122"	20'	121 1/2"	19' 10"	127"
MXS2200122	22' X 122"	22'	121 1/2"	21' 10"	127"
MXS2400122	24' X 122"	24'	121 1/2"	23' 10"	127"
MXS2600122	26' X 122"	26'	121 1/2"	25' 10"	127"
MXS2800122	28' X 122"	28'	121 1/2"	27' 10"	127"
MXS3000122	30' X 122"	30'	121 1/2"	29' 10"	127"
MXS3200122	32' X 122"	32'	121 1/2"	31' 10"	127"
MXS2800144	28' X 144"	28'	144"	27' 10"	149 1/2"
MXS3000144	30' X 144"	30'	144"	29' 10"	149 1/2"
MXS3200144	32' X 144"	32'	144"	31' 10"	149 1/2"
MXS3400144	34' X 144"	34'	144"	33' 10"	149 1/2"

****If dimensions don't match above,
fill out detail sheet on page 2****

ATTACHMENT

Continuous bungee is strung through d-rings and hooked to aluminum flat bar via s-hooks.

STANDARD VALANCE: 12" VALANCE

OUTSIDE DIMENSIONS

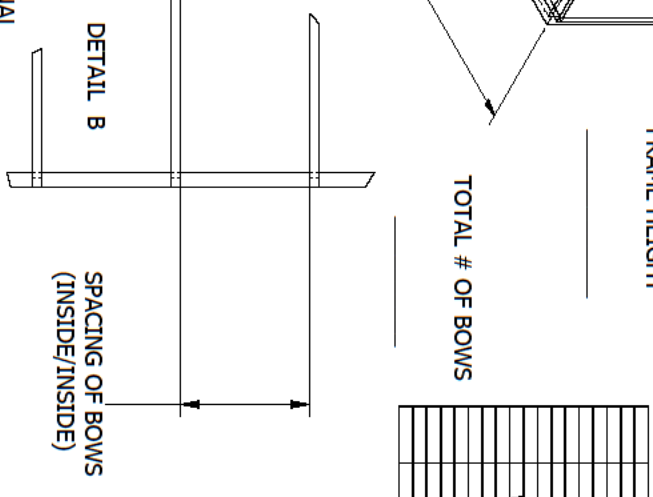
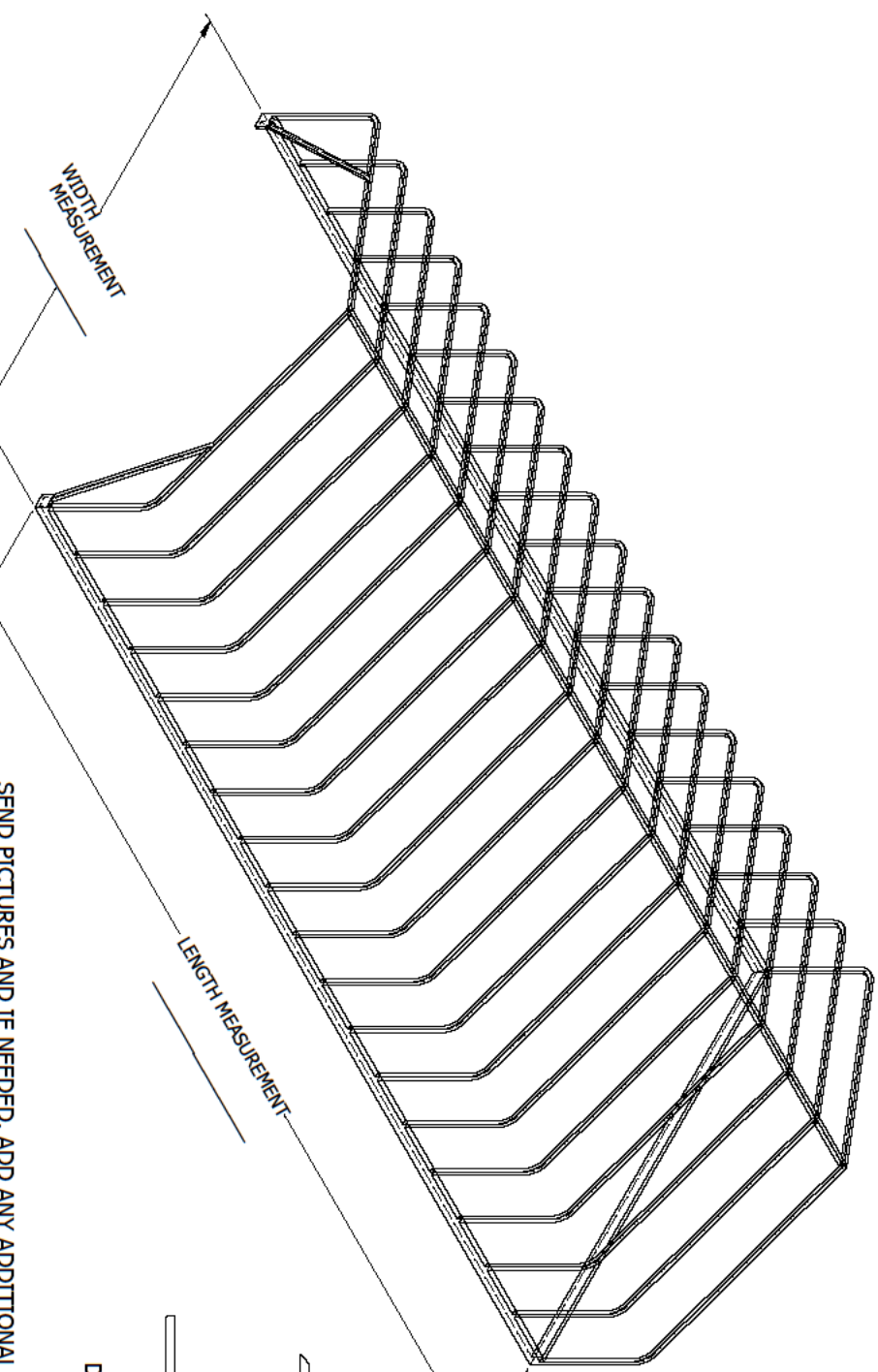
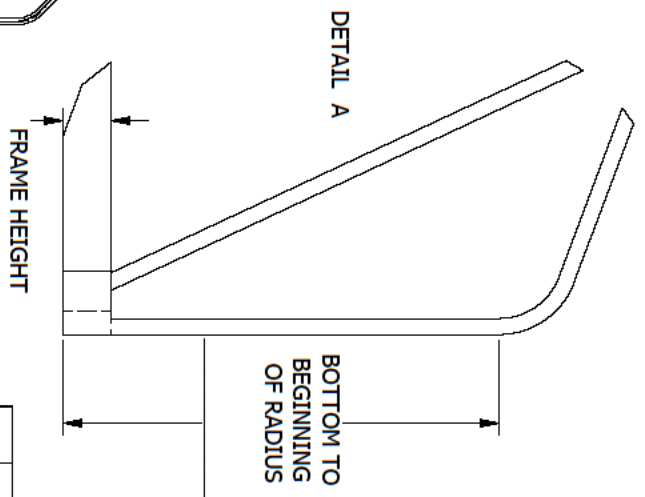
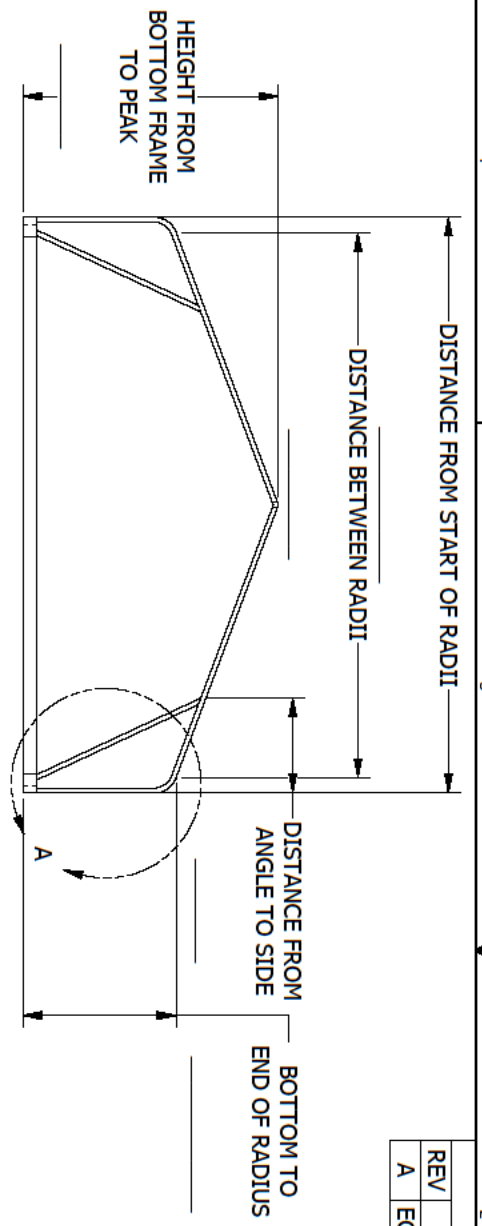
A _____ OVERALL LENGTH OF FRAME
 B _____ INSIDE WIDTH OF FRAME
 C _____ LENGTH OF SIDE RAILS
 (W/O ENDS)
 D _____ OUTSIDE WIDTH OF FRAME

CONTACT INFORMATION

Name _____
 Address _____
 City _____ State _____ Zip _____
 Phone _____ Fax _____
 Boat Lift Brand _____

NOTES

REVISIONS				ISSUER
REV	ECN	DATE	DESCRIPTION	RML
A	EC-00469	10/4/2016	RELEASE	RML



SEND PICTURES AND IF NEEDED, ADD ANY ADDITIONAL FEATURES OR SKETCH THE VIEWS ON A SECOND PAGE.

TOLERANCES - UNLESS NOTED

DECIMAL F.	FRACTION F.	ANGLE F.

TITLE: **PEAKED TOWER FRAME DETAIL SHEET**

DRAWN BY: RML DATE: 11/20/2015

ENGR: CWS DATE: 10/10/2016

SCALE: 1/1

SHEET: 1/1

PART NO: F-139