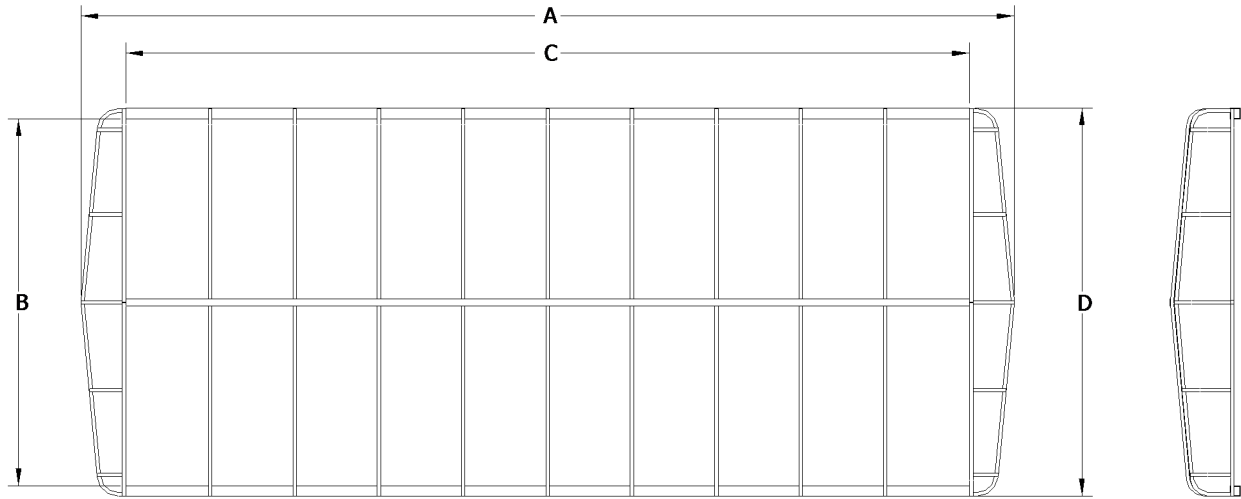


Attn: _____

**Hewitt Flared Front Frame
Specification Sheet**



***ALL MEASUREMENTS (±1")**

PART NO. FLARED FRONT	SIZE	OVERALL LENGTH "A"	INSIDE WIDTH "B"	SIDE RAIL LENGTH "C"	OUTSIDE WIDTH "D"
HW1800100	18' X 100"	18'	94 1/2"	16'	100 1/2"
HW2000100	20' X 100"	20'	94 1/2"	18'	100 1/2"
HW2200100	22' X 100"	22'	94 1/2"	20'	100 1/2"
HW2400100	24' X 100"	24'	94 1/2"	22'	100 1/2"
HW2600100	26' X 100"	26'	94 1/2"	24'	100 1/2"
HW3000100	30' X 100"	30'	94 1/2"	28'	100 1/2"
HW1800110	18' X 110"	18'	104 1/2"	16'	110 1/2"
HW2000110	20' X 110"	20'	104 1/2"	18'	110 1/2"
HW2200110	22' X 110"	22'	104 1/2"	20'	110 1/2"
HW2400110	24' X 110"	24'	104 1/2"	22'	110 1/2"
HW2600110	26' X 110"	26'	104 1/2"	24'	110 1/2"
HW2800110	28' X 110"	28'	104 1/2"	26'	110 1/2"
HW3000110	30' X 110"	30'	104 1/2"	28'	110 1/2"
HW2300120	23' X 120"	23'	114"	20'	120"
HW2500120	25' X 120"	25'	114"	22'	120"
HW2700120	27' X 120"	27'	114"	24'	120"
HW2900120	29' X 120"	29'	114"	26'	120"
HW3100120	31' X 120"	31'	114"	28'	120"
HW1200138	12' X 138"	12' 3"	132"	9'	138"
HW2300138	23' X 138"	23' 3"	132"	20'	138"
HW2500138	25' X 138"	25' 3"	132"	22'	138"

ATTACHMENT

Ball bungees wrap around each bow on the sides

Hooked bungees attach to a ring welded to each bow on the ends

STANDARD VALANCE: 12" VALANCE

OUTSIDE DIMENSIONS

- A _____ OVERALL LENGTH OF FRAME
- B _____ INSIDE WIDTH OF FRAME
- C _____ LENGTH OF SIDE RAILS
(W/O ENDS)
- D _____ OUTSIDE WIDTH OF FRAME

CONTACT INFORMATION

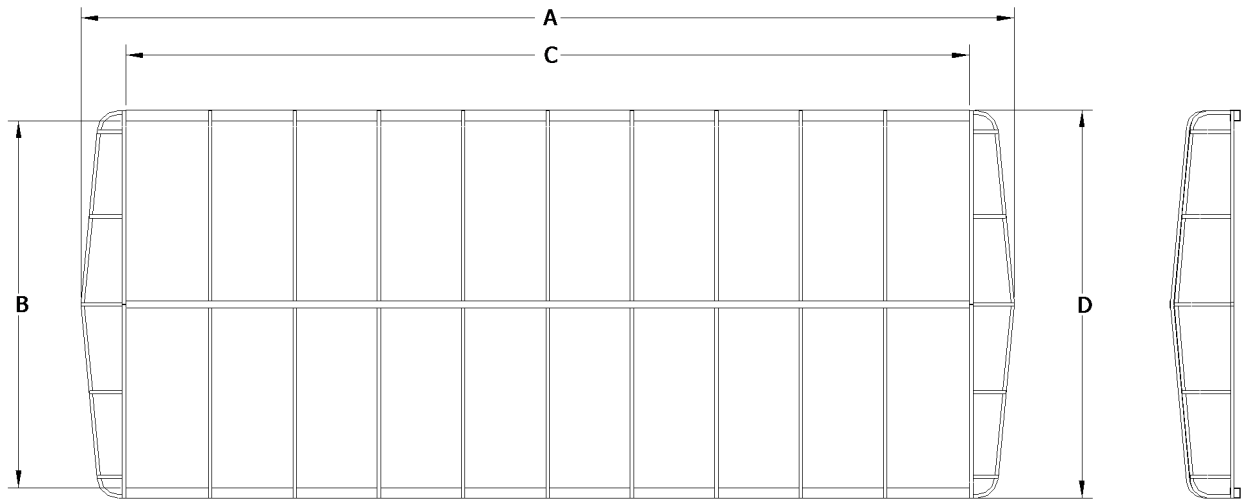
Name _____
 Address _____
 City _____ State _____ Zip _____
 Phone _____ Fax _____
 Boat Lift Brand _____

NOTES

****If dimensions don't match above,
fill out detail sheet on page 3****

Attn: _____

**Hewitt Flared Front Frame
Specification Sheet**



***ALL MEASUREMENTS (±1")**

PART NO. FLARED FRONT	SIZE	OVERALL LENGTH "A"	INSIDE WIDTH "B"	SIDE RAIL LENGTH "C"	OUTSIDE WIDTH "D"
HW2700138	27' X 138"	27' 3"	132"	24'	138"
HW2900138	29' X 138"	29' 3"	132"	26'	138"
HW3100138	31' X 138"	31' 3"	132"	28'	138"
HW3300138	33' X 138"	33' 3"	132"	30'	138"
HW3500138	35' X 138"	35' 3"	132"	32'	138"
HW3700138	37' X 138"	37' 3"	132"	34'	138"
HW4200138	42' X 138"	42' 3"	132"	39'	138"
HW4500138	45' X 138"	45' 3"	132"	42'	138"

****If dimensions don't match above,
fill out detail sheet on page 3****

ATTACHMENT

Ball bungees wrap around each bow on the sides

Hooked bungees attach to a ring welded to each bow on the ends

STANDARD VALANCE: 12" VALANCE

OUTSIDE DIMENSIONS

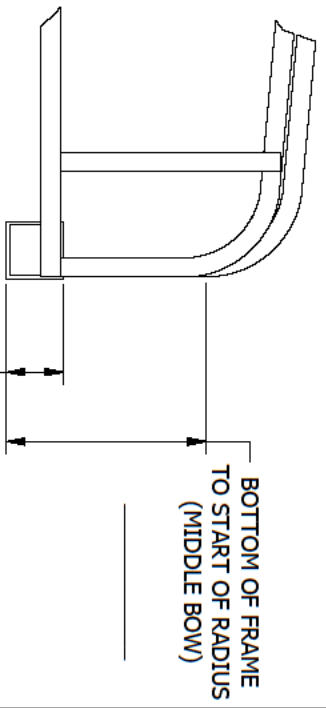
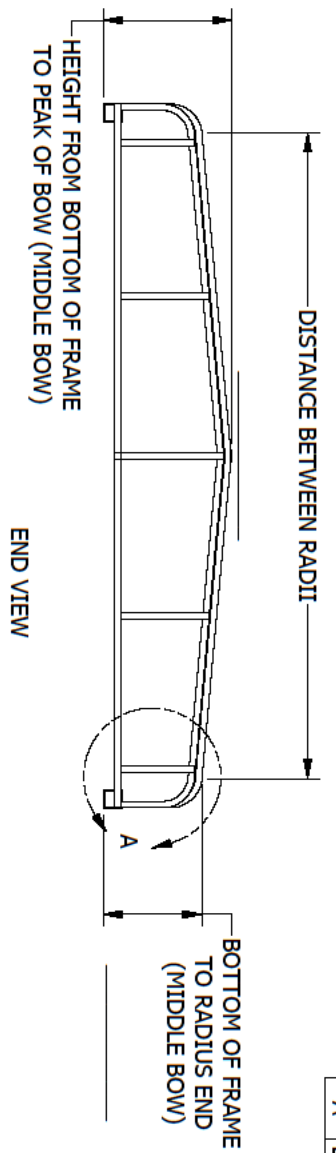
- A _____ OVERALL LENGTH OF FRAME
- B _____ INSIDE WIDTH OF FRAME
- C _____ LENGTH OF SIDE RAILS
(W/O ENDS)
- D _____ OUTSIDE WIDTH OF FRAME

CONTACT INFORMATION

Name _____
 Address _____
 City _____ State _____ Zip _____
 Phone _____ Fax _____
 Boat Lift Brand _____

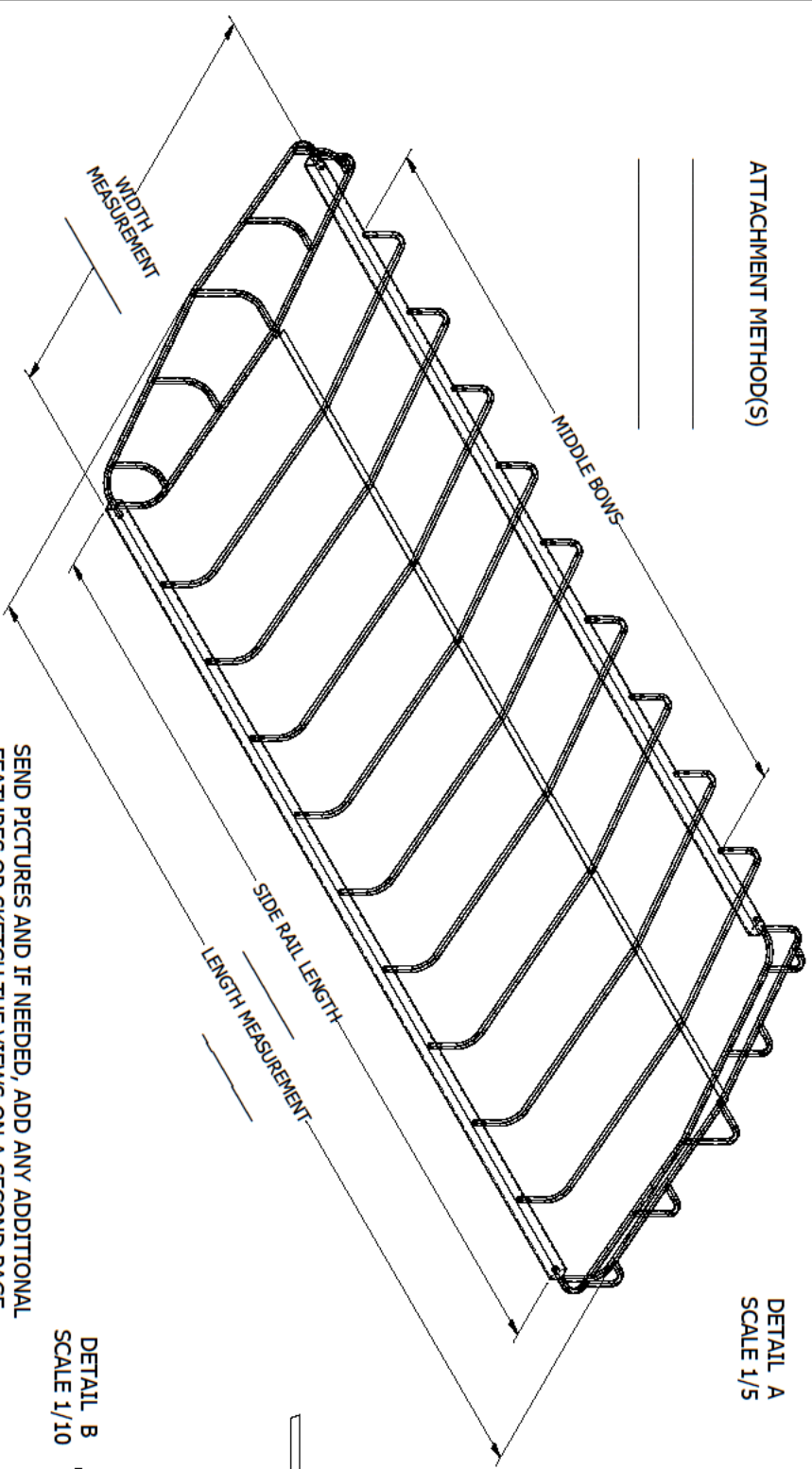
NOTES

REVISIONS				ISSUER
REV	ECN	DATE	DESCRIPTION	RML
A	EC-00469	10/4/2016	RELEASE	RML

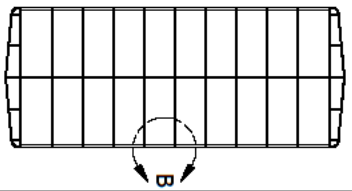


ATTACHMENT METHOD(S)

DETAIL A
SCALE 1/5



TOTAL NUMBER OF BOWS



SPACING OF BOWS

DETAIL B
SCALE 1/10

SEND PICTURES AND IF NEEDED, ADD ANY ADDITIONAL FEATURES OR SKETCH THE VIEWS ON A SECOND PAGE.

TOLERANCES - UNLESS NOTED		TITLE:		PART NO.:	
DECIMAL F.	FRACTION F.	FLARED FRONT FRAME DETAIL SHEET		F-136	
ANGLE F.		DRAWN:	DATE:	SCALE:	SHEET:
		RML	4/2/2013	1	1
		ENGR:	DATE:		
		OWG	10/10/2016		
				SIZE:	
				C	